

Ambient Light Sensor Surface - Mount ALS-PT19-315C/L177/TR8

Features

- Light to Current, analog output
- Good output linearity across wide illumination range
- Guaranteed temperature performance, -40°C to 85°C
- Wide supply voltage range, 2.5V to 5.5V
- Size : 1.7mm(L)*0.8mm(W)*0.6mm(H)
- The product itself will remain within RoHS compliant version
- Compliance with EU REACH
- Compliance Halogen Free(Br < 900ppm, Cl < 900ppm, Br+Cl < 1500ppm)



Description

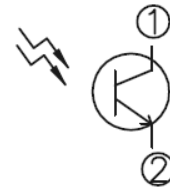
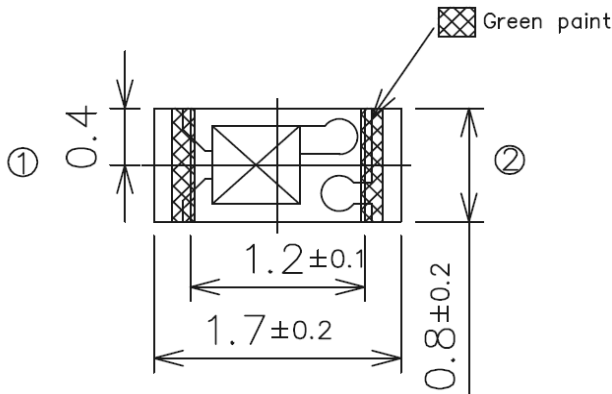
The ALS-PT19-315C/L177/TR8 is a low cost ambient light sensor, consisting of phototransistor in miniature SMD. EVERLIGHT ambient light sensors are a good effective solution for power saving of display backlighting of mobile appliances, such as the mobile phones, NB and PDAs. Due to the high rejection ratio of infrared radiation, the spectral response of the ambient light sensor is close to that of human eyes.

Applications

- Mobile devices – mobile phones, PDAs
- TVs, monitor
- Cameras
- Signage boards
- Street lighting
- CCD/CCTV
- Automatic residential and commercial management systems

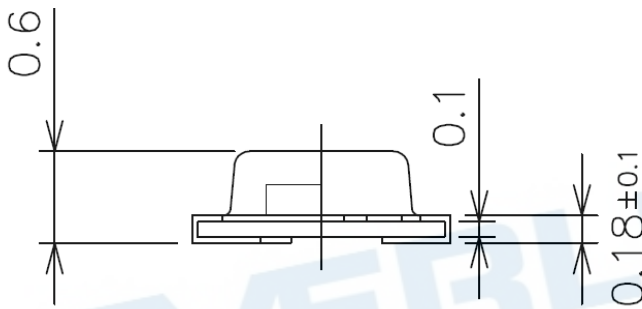
Package Dimensions

Top View

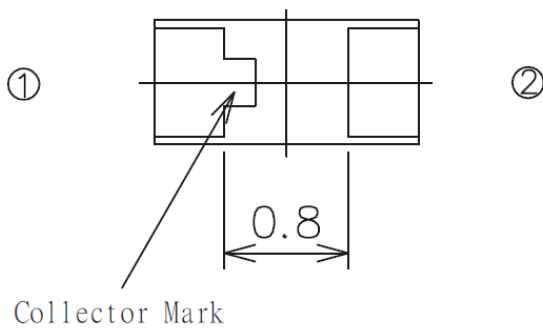


- ① Collector
- ② Emitter

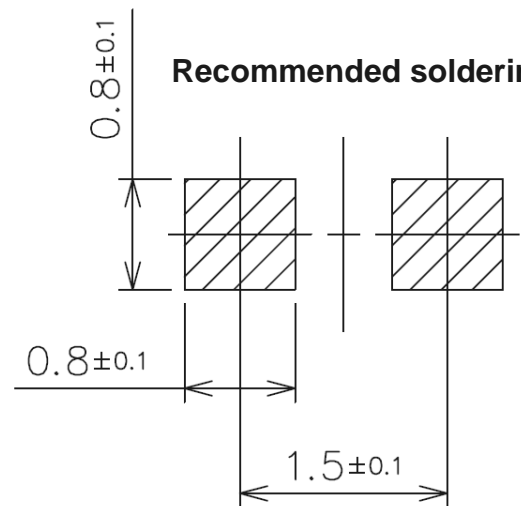
Side View



Bottom View



Recommended soldering pad



Unit: mm
Tolerances: ±0.1mm

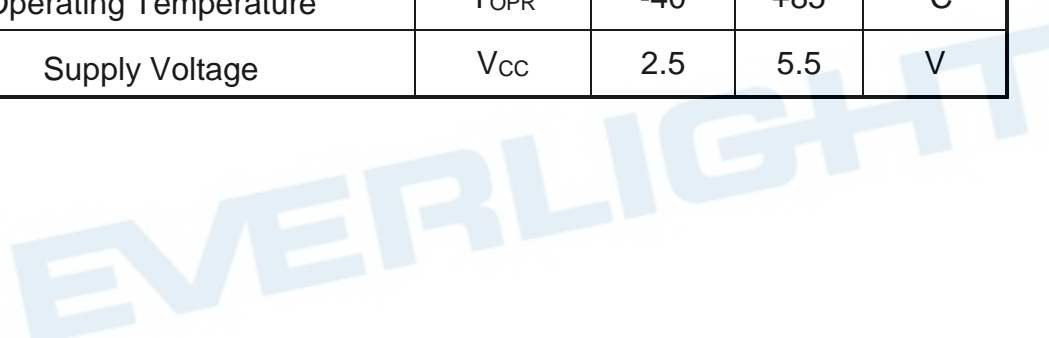
Absolute Maximum Ratings

Parameter	Symbol	Rating	Unit
Supply Voltage	V _{CC}	-0.5~6.0	V
Operating Temperature Range	T _{OPR}	-40 ~ +85	°C
Storage Temperature Range	T _{stg}	-40 ~ +100	°C
Soldering Temperature ^[Note1]	T _{sol}	260 ± 10	°C

Note1: For detail reflow time and the recommended temperature profile, please refer to page 8.

Recommended Operating Conditions

Parameter	Symbol	Min.	Max.	Unit
Operating Temperature	T _{OPR}	-40	+85	°C
Supply Voltage	V _{CC}	2.5	5.5	V



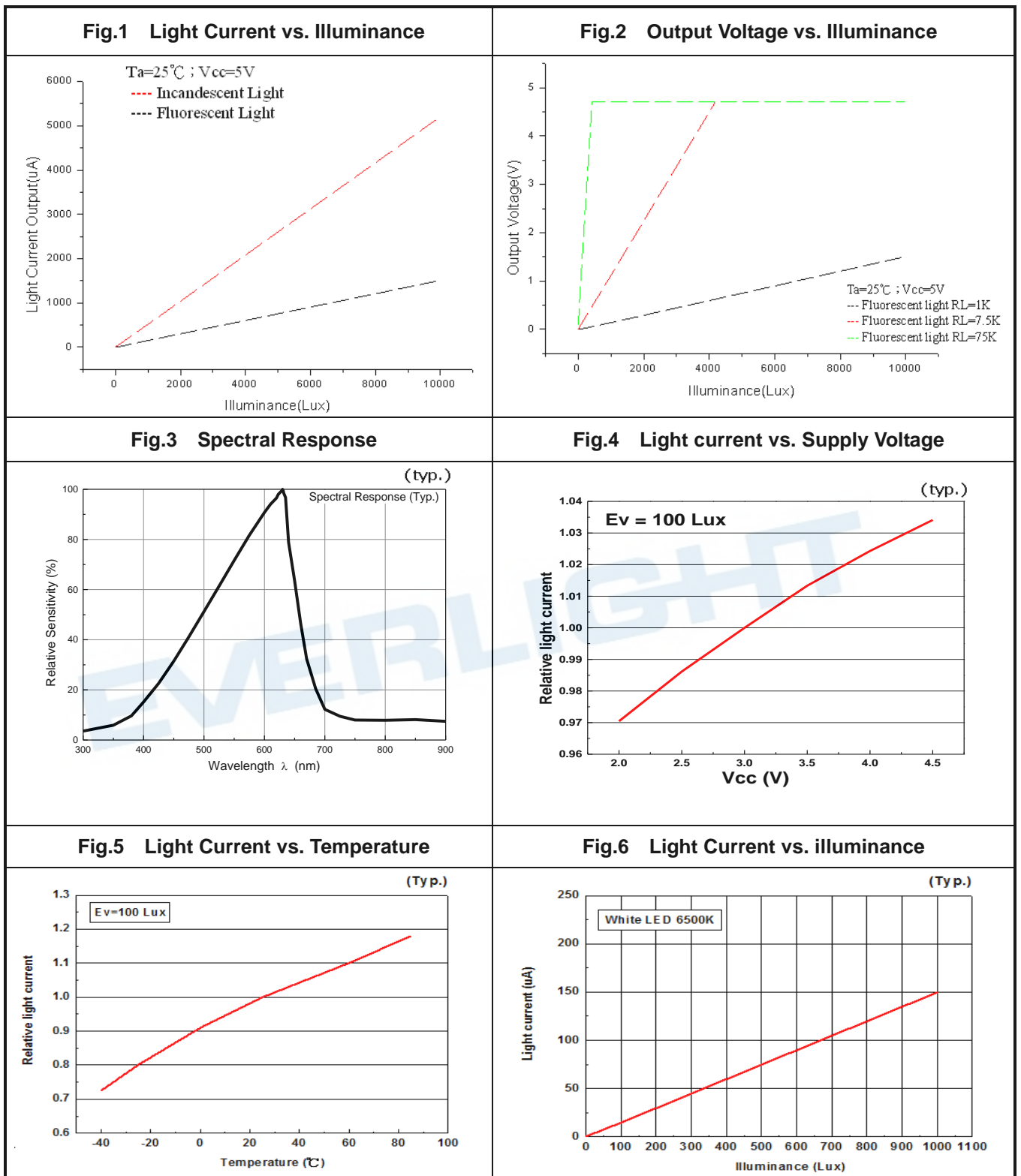
Electrical and Optical Characteristics (T_a=25°C)

Parameter	Symbol	MIN.	TYP.	MAX.	Unit	Test Condition
Dark Current	I _{CEO}	---	---	0.1	uA	V _{CE} =10V, E _v = 0Lux
Collector-Emitter Saturation Voltage	V _{CE(sat)}	---	---	0.4	V	E _v = 1000Lux
Light Current	I _{PH1}	5	15	---	uA	V _{CE} =5V, E _v = 100Lx [Note2]
	I _{PH2}	50	150	---	uA	V _{CE} =5V, E _v = 1000Lx [Note2]
	I _{PH3}	140	520	---	uA	V _{CE} =5V, E _v = 1000Lx [Note3]
Photocurrent Ratio	I _{PH3} / I _{PH2}	---	3.5	---	---	V _{CE} =5V, E _v = 1000Lx
Saturation Output Voltage	V _o	4.5	4.6	---	V	V _{CC} =5V, E _v = 1000Lx [Note3] R _L =75K
Peak Sensitivity Wavelength	λ _p	---	630	---	nm	---
Sensitivity Wavelength Range	Λ	390	---	700	nm	---
Rise time	t _r	---	0.11	---	ms	V _{CC} = 5 V, R _L = 7.5KΩ
Fall time	t _f	---	0.22	---	ms	

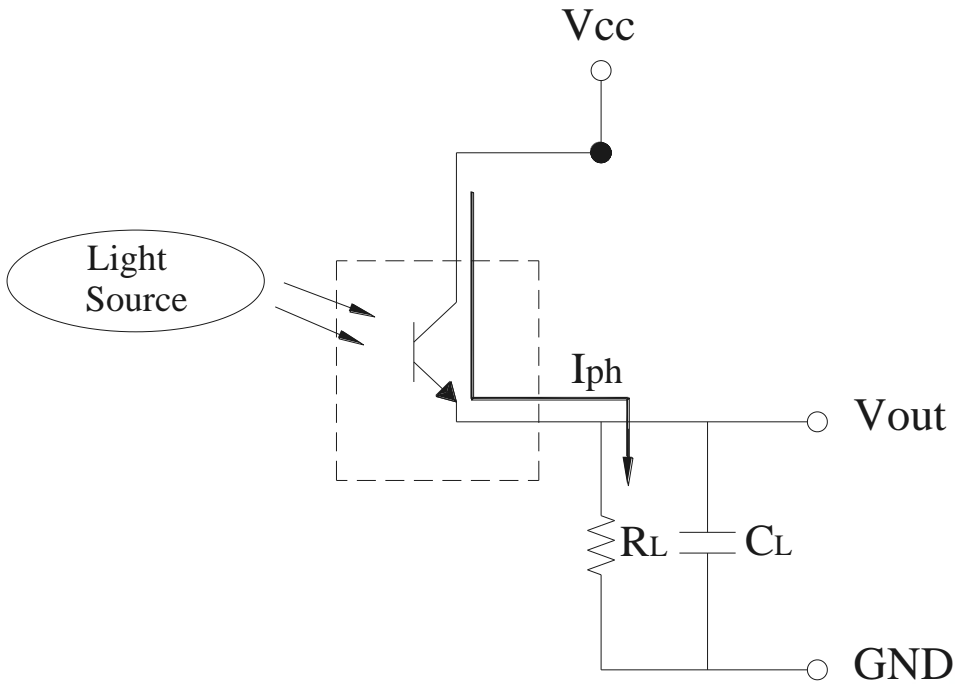
Note:

- White Fluorescent light (Color Temperature = 6500K) is used as light source. However, White LED is substituted in mass production.
- Illuminance by CIE standard illuminant-A / 2856K, incandescent lamp.

Typical Electrical and Optical Characteristics Curves



Converting Photocurrent to Voltage



Note:

1. The output voltage (V_{out}) is the product of photocurrent (I_{PH}) and loading resistor (R_L)
2. A proper load resistor shall be chosen to meet the requirement of maximum ambient light and output saturation voltage:

$$V_{out(max.)} = I_{PH(max.)} \times R_L \leq V_{out(saturation)} = V_{cc} - 0.4V$$

$$R_L \times C_L \geq 0.5 \quad (\text{empirical data})$$

Recommended method of storage

1. Do not open moisture proof bag before devices are ready to use.
2. Shelf life in sealed bag from the bag seal date: 18 months at 10°C~30°C and < 90% RH.
3. After opening the package, the devices must be stored at 10°C~30°C and $\leq 60\%RH$, and used within 168 hours (floor life).
4. If the moisture absorbent material (desiccant material) has faded or unopened bag has exceeded the shelf life or devices (out of bag) have exceeded the floor life, baking treatment is required.
5. If baking is required, refer to IPC/JEDEC J-STD-033 for bake procedure or recommend the following conditions:
192 hours at 40°C +5/-0°C and < 5 % RH (reeled/tubed/loose units) or
96 hours at 60°C \pm 5°C and < 5 % RH (reeled/tubed/loose units) or
24 hours at 125°C \pm 5°C, not suitable for reel or tubes.

ESD Precaution:

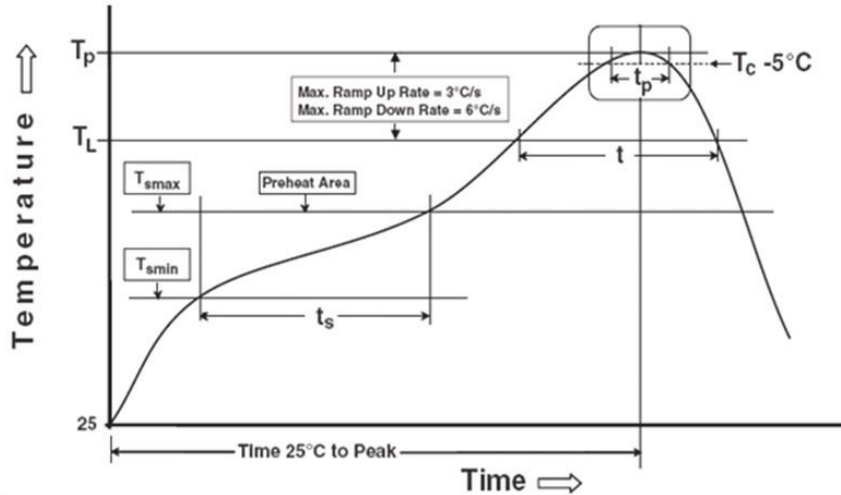
Proper storage and handing procedures should be followed to prevent ESD damage to the devices especially when they are removed from the Anti-static bag. Electro-Static Sensitive Devices warning labels are on the packing.

EVERLIGHT

Recommended Solder Profile

1. Soldering Condition

1.1 (A) Maximum Body Case Temperature Profile for evaluation of Reflow Profile



Note:

Reference: IPC/JEDEC J-STD-020D

Preheat

Temperature min (T_{smin})	150 °C
Temperature max (T_{smax})	200°C
Time (T_{smin} to T_{smax}) (t_s)	60-120 seconds
Average ramp-up rate (T_{smax} to T_p)	3 °C/second max

Other

Liquidus Temperature (T_L)	217 °C
Time above Liquidus Temperature (t_L)	60-100 sec
Peak Temperature (T_p)	260°C
Time within 5 °C of Actual Peak Temperature: $T_p - 5^\circ\text{C}$	30 s
Ramp- Down Rate from Peak Temperature	6°C /second max.
Time 25°C to peak temperature	8 minutes max.
Reflow times	3 times

Notice:

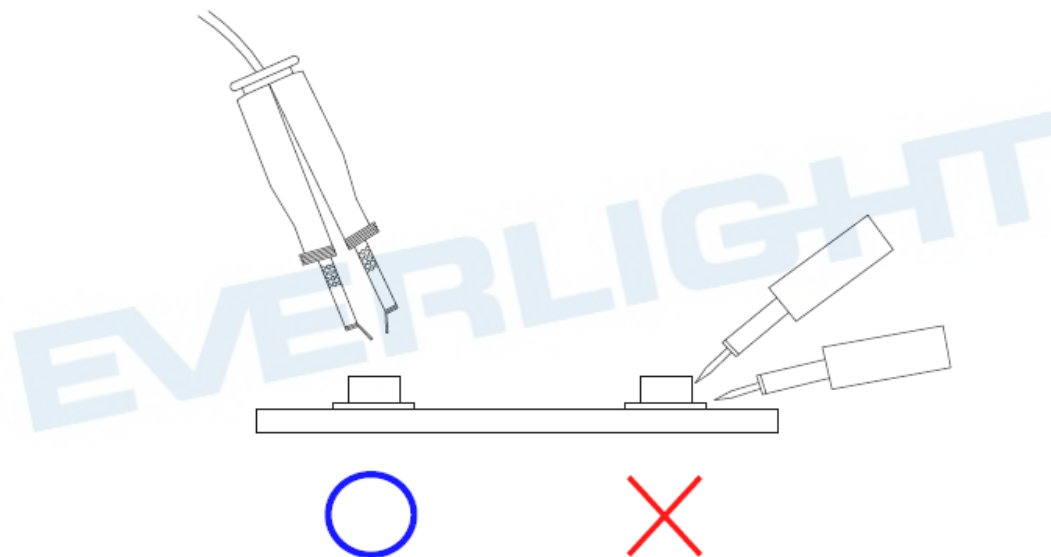
- (1) When soldering, do not put stress on the devices during heating.
- (2) After soldering, do not warp the circuit board.

Solder Iron

Each terminal is to go to the tip of soldering iron temperature less than 350°C for 3 seconds within once in less than the soldering iron capacity 25W. Leave two seconds and more intervals, and do soldering of each terminal. Be careful because the damage of the product is often started at the time of the hand solder.

Repairing

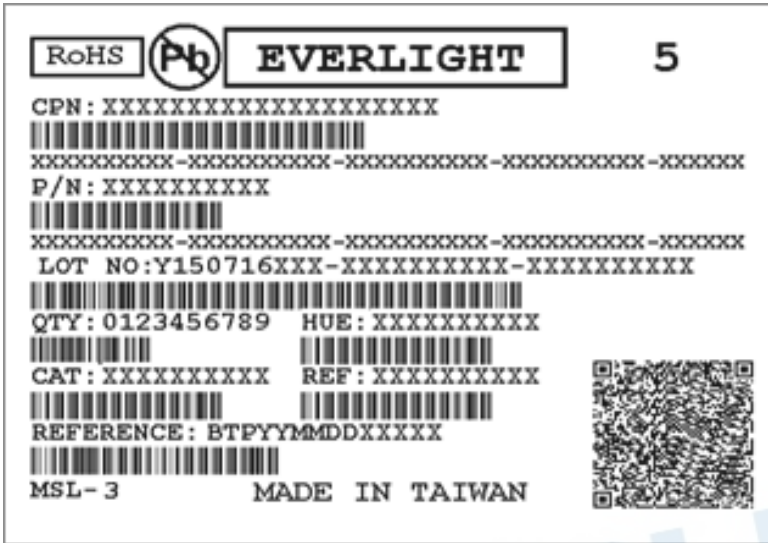
Repair should not be done after the device have been soldered. When repairing is unavoidable, a double-head soldering iron should be used (as below figure). It should be confirmed beforehand whether the characteristics of the device will or will not be damaged by repairing.



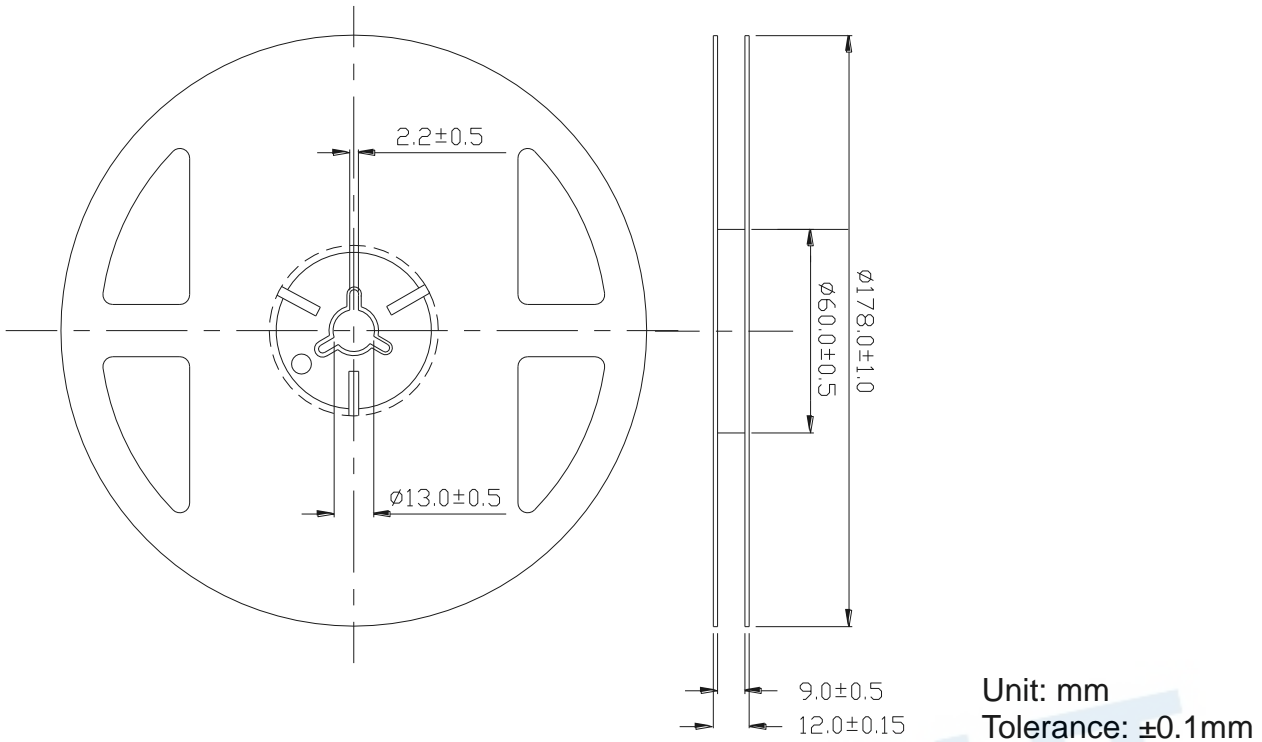
Packing Quantity Specification

4000 PCS/ 1 Reel

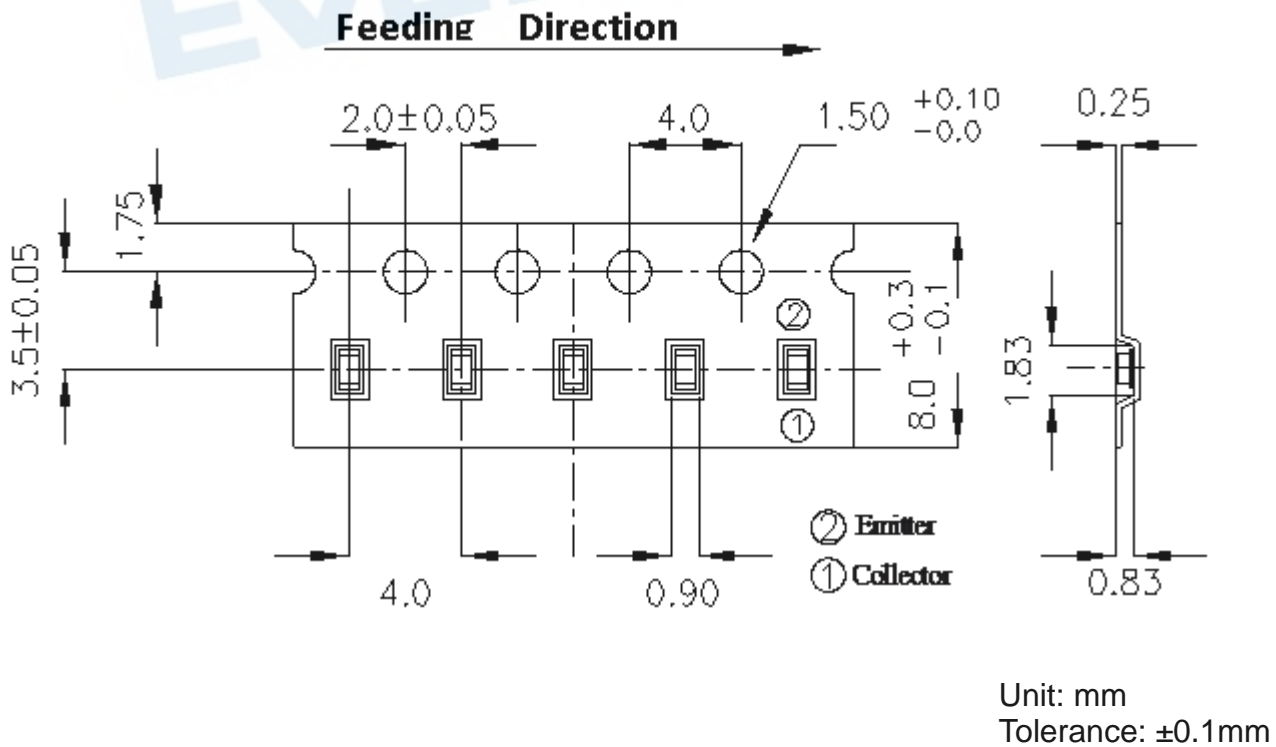
Label Format



Reel Dimensions



Tape Dimensions



DISCLAIMER

1. EVERLIGHT reserves the right(s) on the adjustment of product materials for the specification.
2. The product meets EVERLIGHT published specification for a period of twelve (12) months from date of shipment.
3. The graphs shown in this datasheet are representing typical data only and do not show guaranteed values.
4. When using this product, please observe the absolute maximum ratings and the instructions for using outlined in these specification sheets. EVERLIGHT assumes no responsibility for any damage resulting from the use of the product which does not comply with the absolute maximum ratings and the instructions included in these specification sheets.
5. These specification sheets include materials protected under copyright of EVERLIGHT. Reproduction in any form is prohibited without obtaining EVERLIGHT's prior consent.
6. This product is not intended to be used for military, aircraft, automotive, medical, life sustaining or life saving applications or any other application which can result in human injury or death. Please contact authorized Everlight sales agent for special application request.

EVERLIGHT